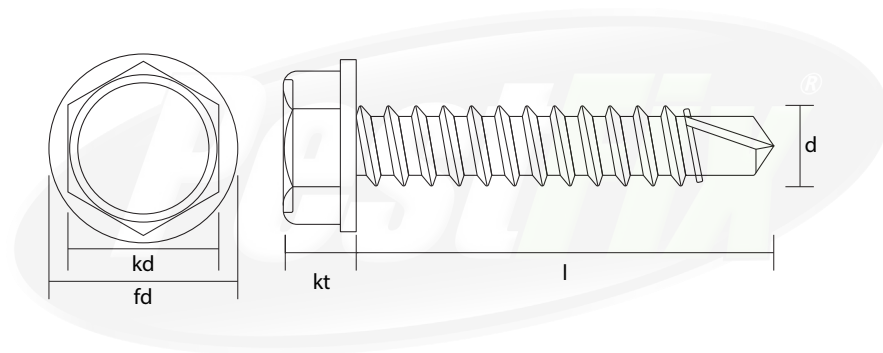


## Technical Specifications

SKU: NF176/NF281/NF300

Product Name: Hex Head Self Drilling Screws



	NF176	NF281	NF300
D (mm)	5.5	5.5	5.5
l (mm)	25	25	32
kt (mm)	5.5	5.5	5.5
kd (mm)	8	8	8
fd (mm)	9	9	9
Point Type (mm)	3	3	5
Material	Carbon steel heat treated and zinc plated to 12 microns.	304 Stainless Steel	Carbon steel heat treated and zinc plated to 12 microns.

Used to secure intermediate fixings to cladding and other sheet metal substrates  
Use with rubber bonded washers to provide a watertight seal